



General Luminaire Wall Mount Installation Instructions

W3 Direct and W3 Indirect/Direct Series Products

WARNING

To Reduce Risk Of Death, Injury Or Property Damage From Fire, Electric Shock And Other Hazards:

- Service of equipment must be performed by qualified personnel.
- Installation and maintenance must be performed by qualified personnel familiar with the construction and operation of this product and any hazards involved. All applicable local and national codes and ordinances must be followed.
- Read this document before installing, servicing or maintaining this equipment. These instructions do not cover all installation, service and maintenance situations. If your situation is not covered, or, if you do not understand these instructions or need additional information, contact Lumato Lighting or your local Lumato Lighting distributor.

WARNING

Before Installing, Servicing Or Maintaining This Equipment, Follow These General Precautions To Reduce The Risk Of Electrocutation:

- Make sure the equipment is properly grounded.
- Always de-energize the circuit and/or equipment before connecting to, disconnecting from or servicing the equipment.

To Prevent Luminaire Row From Over-Current:

- By adding the input current of each luminaire section marked on the luminaire, the total current per power feed must not exceed the maximum line wire amperage rating in the luminaire and the power feed cord/wire amperage rating whichever is least.

CAUTION

It Is The Installers Responsibility To Ensure That Wall And/Or Junction Box Is Structurally Capable Of Supporting The Weight Of Luminaire/Luminaire Row.



W3 D
Square
3.0in x 3.5in

W3 I/D
Beam
3.0in x 4.5in

SAVE THESE INSTALLATION INSTRUCTIONS

General Luminaire Wall Mount Installation Instructions

Individual Mounting W3 Direct

INDIVIDUAL LUMINAIRE INSTALLATION

Wall Mounting:

-Linear luminaires intended for "Wall Mounting" mounting cleats are to be installed with appropriate anchors "by others". Mounting cleats are shipped with product and should be installed in accordance with these instructions.

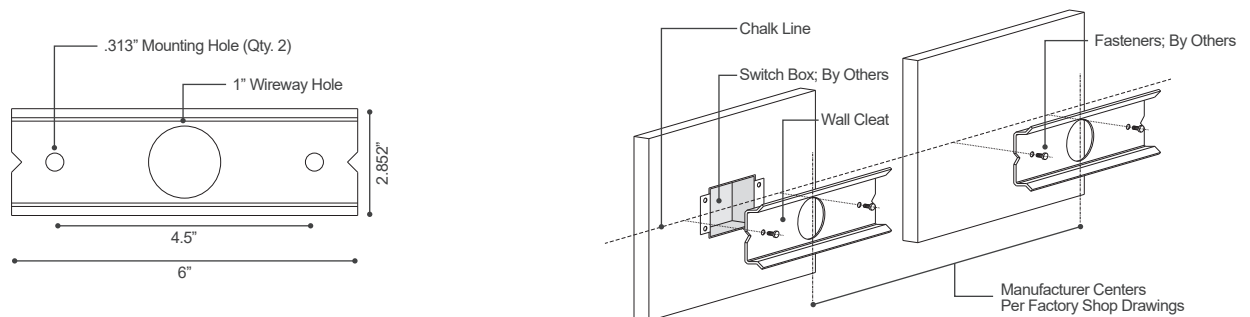
Step One:

-Remove lens and LED/Reflector Tray and store safely aside. Using wall cleat supplied with luminaire as a template, center over horizontally mounted switch box, using level to plumb wall cleat, mark (2) mounting holes. (FIG. 1) Drill appropriate holes for mounting surface and fasteners to be used. Securely attached wall cleat to wall.

Step Two:

-Attach additional wall cleat(s) supplied to mounting surface at the location(s) as specified on factory shop drawings. Insure that all wall cleats are plumb and on the same center line as the first one installed. All wall cleats should be centered over every set screw in luminaire housing. Please consult factory or your Lumato representative if you are not in possession of factory shop drawing. Remove upper gear tray to access wiring compartment.

FIGURE 1



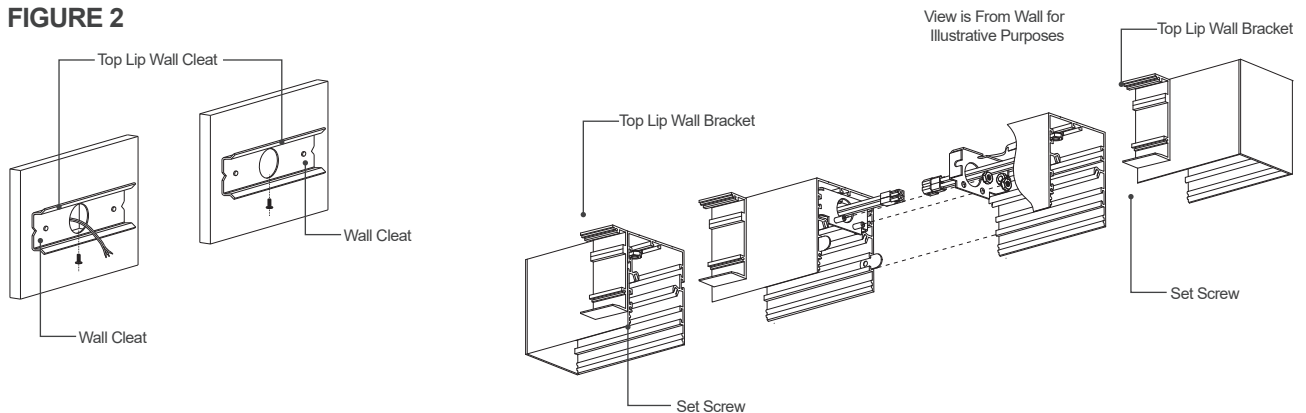
Step Three:

-Lower top lip of wall bracket rails over top lip of wall cleat by holding luminaire at a slight angle with bottom of unit away from the wall and the top of the unit at the wall. Run supply leads through wire feed hole ensuring that the wire leads are not being pinched, lower unit down into position. Install set screws and tighten only enough to hold luminaire tight to the wall. (FIG.2)

Step Four:

-Connect incoming supply wire leads to luminaire wire leads using 90Deg C minimum rated supply wires and connectors. Replace gear tray and Lens to original position. Energize circuit and check for proper operation.

FIGURE 2



General Luminaire Wall Mount Installation Instructions

Row Mounting W3 Direct

CONTINUOUS ROW LUMINAIRE INSTALLATION

CAUTION

Attempt To Assemble Fixture Rows On Ground And Lifting Row Into Position May Create Stress At Connection Points And May Result In Damage And/Or Mechanical Failure.

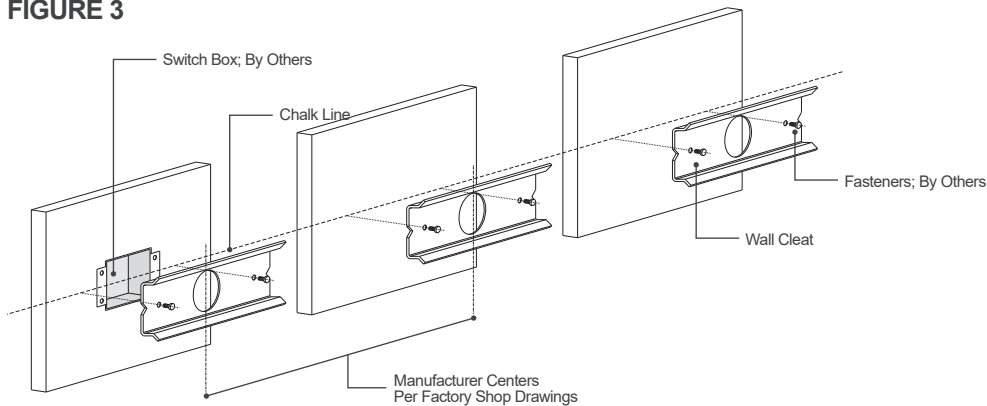
Step One:

-From center line of horizontally mounted switch box(es), snap a horizontal chalk line on wall to the right of J-box approximately the full length of luminaire row mounting centers.

Step Two:

-Attach wall cleats as instructed on previous page and on centers as specified on factory shop drawing or order guide supplied using chalk line a center line guide.(FIG. 3)

FIGURE 3



Step Three:

-Install first fixture in row (STARTER/RH EOR) following instructions on previous page. Leave set screws on luminaire loose at this time. (FIG. 4)

Step Four:

-Position second fixture in row (JOINER/INTERMEDIATE) such that it aligns with joint end of first fixture as illustrated.

Step Five:

-Plug luminaire wire harness together and push excess wire back into wireway. Push luminaires tightly together while making sure the alignment tabs slide into the interior tracks of each luminaire and span the luminaire joint. Secure joint with hardware provided.

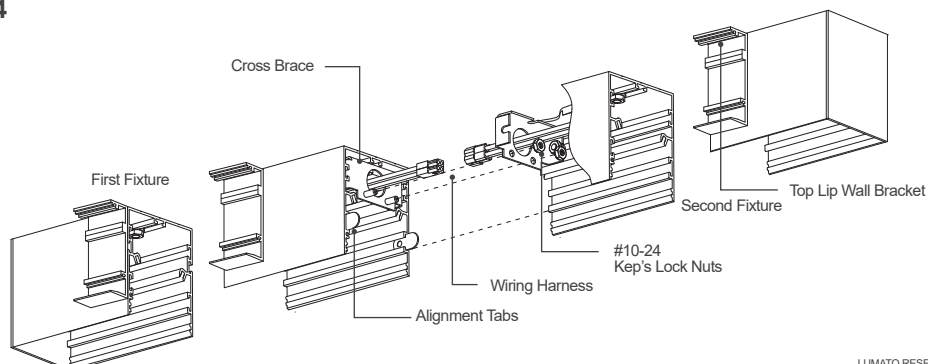
Step Six:

-Continue to install and assemble row following steps 2, 3 and 4.

Step Seven:

-Once all luminaires in row are installed, tighten set screws on all fixtures only enough to hold luminaires snug to wall.

FIGURE 4



General Luminaire Wall Mount Installation Instructions

Individual Mounting W3 Indirect/Direct

INDIVIDUAL LUMINAIRE INSTALLATION Wall Mounting:

-Linear luminaires intended for "Wall Mounting" mounting cleats are to be installed with appropriate anchors "by others". Mounting cleats are shipped with product and should be installed in accordance with these instructions.

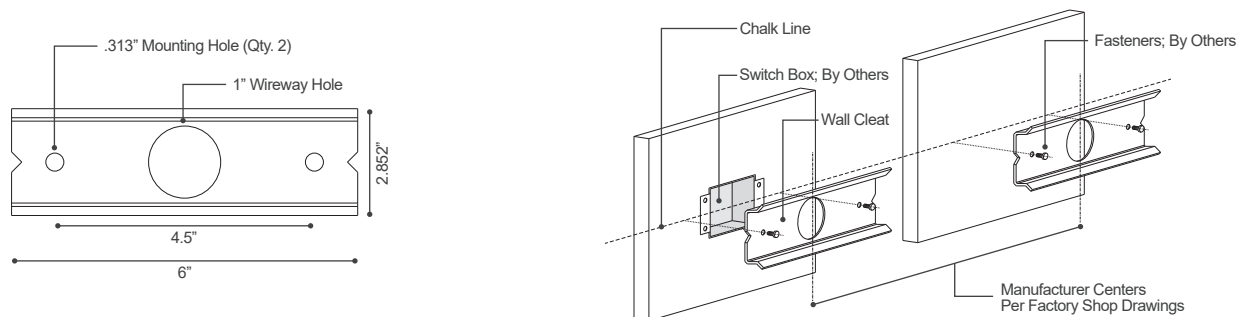
Step One:

-Remove Upper LED/Reflector Trays and store in order safely aside. Using wall cleat supplied with luminaire as a template, center over horizontally mounted switch box, using level to plumb wall cleat, mark (2) mounting holes. (FIG. 5) Drill appropriate holes for mounting surface and fasteners to be used. Securely attached wall cleat to wall.

Step Two:

-Attach additional wall cleat(s) supplied to mounting surface at the location(s) as specified on factory shop drawings. Insure that all wall cleats are plumb and on the same center line as the first one installed. All wall cleats should be centered over every set screw in luminaire housing. Please consult factory or your Lumato representative if you are not in possession of factory shop drawing. Remove upper gear tray to access wiring compartment.

FIGURE 5



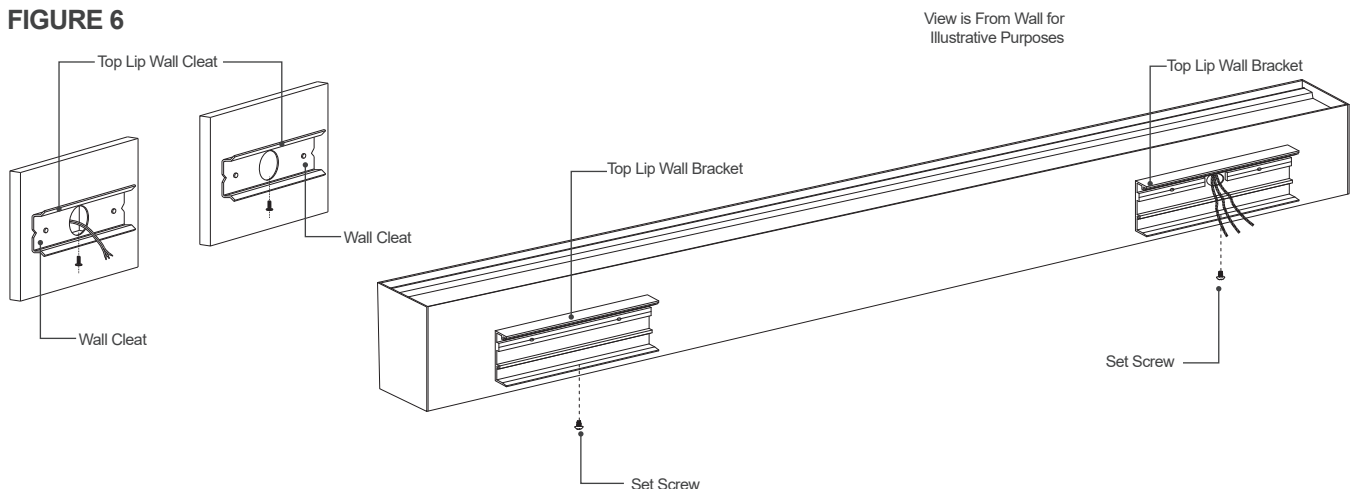
Step Three:

-Lower top lip of wall bracket rails over top lip of wall cleat by holding luminaire at a slight angle with bottom of unit away from the wall and the top of the unit at the wall. Run supply leads through wire feed hole ensuring that the wire leads are not being pinched, lower unit down into position. Install set screws and tighten only enough to hold luminaire tight to the wall. (FIG.6)

Step Four:

-Connect incoming supply wire leads to luminaire wire leads using 90Deg C minimum rated supply wires and connectors. Replace upper gear tray to original position. Energize circuit and check for proper operation.

FIGURE 6



General Luminaire Wall Mount Installation Instructions

Row Mounting W3 Indirect/Direct

CONTINUOUS ROW LUMINAIRE INSTALLATION

CAUTION

Attempt To Assemble Fixture Rows On Ground And Lifting Row Into Position May Create Stress At Connection Points And May Result In Damage And/Or Mechanical Failure.

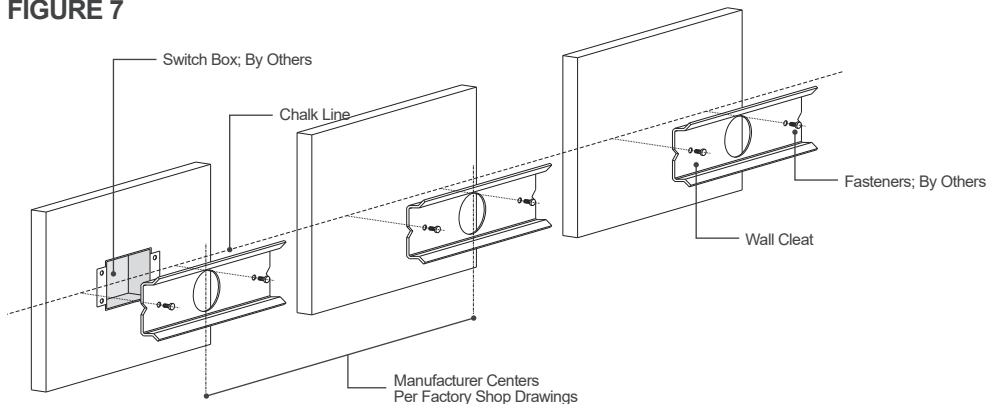
Step One:

-From center line of horizontally mounted switch box(es), snap a horizontal chalk line on wall to the right of J-box approximately the full length of luminaire row mounting centers.

Step Two:

-Attach remaining wall cleats as instructed on previous page and on centers as specified on factory shop drawing or order guide supplied using chalk line a center line guide.(FIG. 7)

FIGURE 7



Step Three:

-Install first fixture in row (STARTER/RH EOR) following instructions on previous page. Leave set screws on luminaire loose at this time. (FIG. 8)

Step Four:

-Position second fixture in row (JOINER/INTERMEDIATE) such that it aligns with joint end of first fixture as illustrated.

Step Five:

-Plug luminaire wire harness together and push excess wire back into wireway. Push luminaires tightly together while making sure the alignment tabs slide into the interior tracks of each luminaire and span the luminaire joint. Secure joint with hardware provided.

Step Six:

-Continue to install and assemble row following steps 2, 3 and 4.

Step Seven:

-Once all luminaires in row are installed, tighten set screws on all fixtures only enough to hold luminaires snug to wall.

FIGURE 8

